



# 2.3 AW

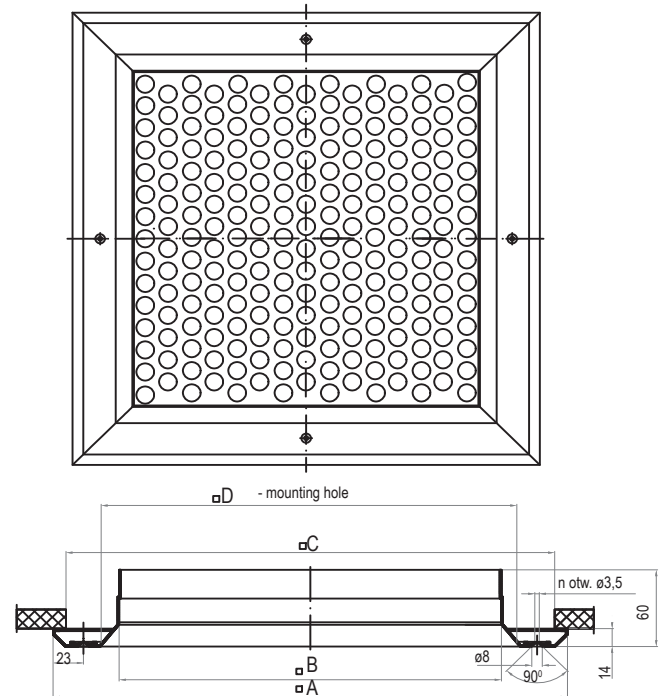
## square exhaust diffusers

### STANDARD SIZES

2

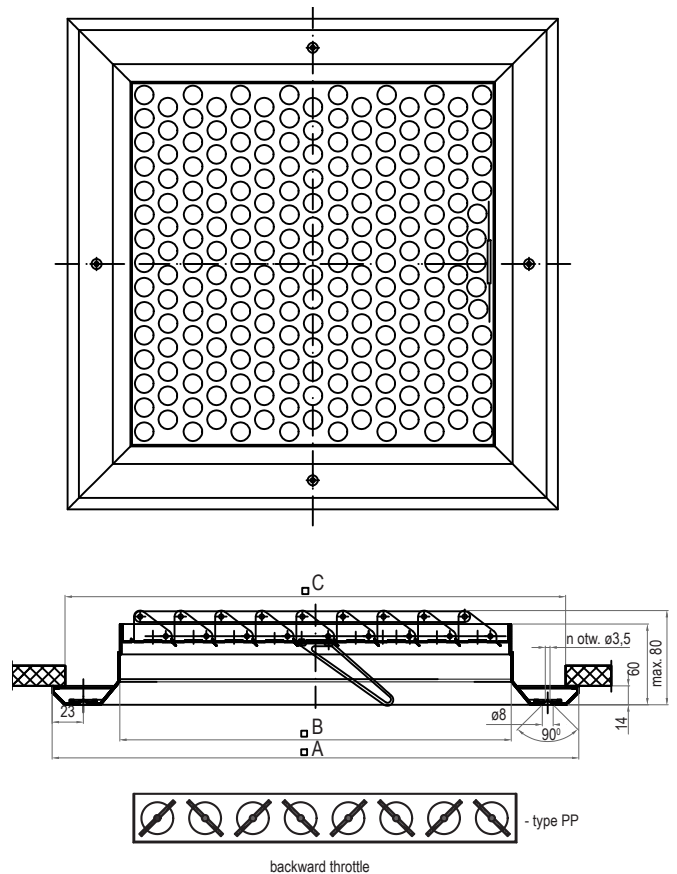
#### EXHAUST DIFFUSER AW

Nr	1	2	3	4	5	6	7	8
□A [mm]	240	290	340	390	440	490	540	590
□B [mm]	140	190	240	290	340	390	440	490
□C [mm]	215	265	315	365	415	465	515	565
□D [mm]	170	220	270	320	370	420	470	520
n	2				4			
Capacity [m³/h]	15 - 200	25 - 350	45 - 580	65 - 850	85 - 1150	110 - 1550	140 - 1950	170 - 2450
Weight [kg]	0,35	0,47	0,60	0,73	0,85	1,00	1,12	1,30



#### EXHAUST DIFFUSER AW-P

Nr	1	2	3	4	5	6	7	8
□A [mm]	240	290	340	390	440	490	540	590
□B [mm]	140	190	240	290	340 <td 390	440	490	
□C [mm]	215	265	315	365	415	465	515	565
□D [mm]	170	220	270	320	370	420	470	520
n	2				4			
Capacity [m³/h]	15 - 200	25 - 350	45 - 580	65 - 850	85 - 1150	110 - 1550	140 - 1950	170 - 2450
Weight [kg]	0,55	0,80	1,00	1,40	1,70	2,20	2,60	3,00



## FEATURES

The figure shows airflow capacity  $V$  ( $m^3/h$ ), pressure loss  $p$  (Pa), airflow scope  $L$  (m) for end speed of 0.25 m/s, and volume level [db(A)].

